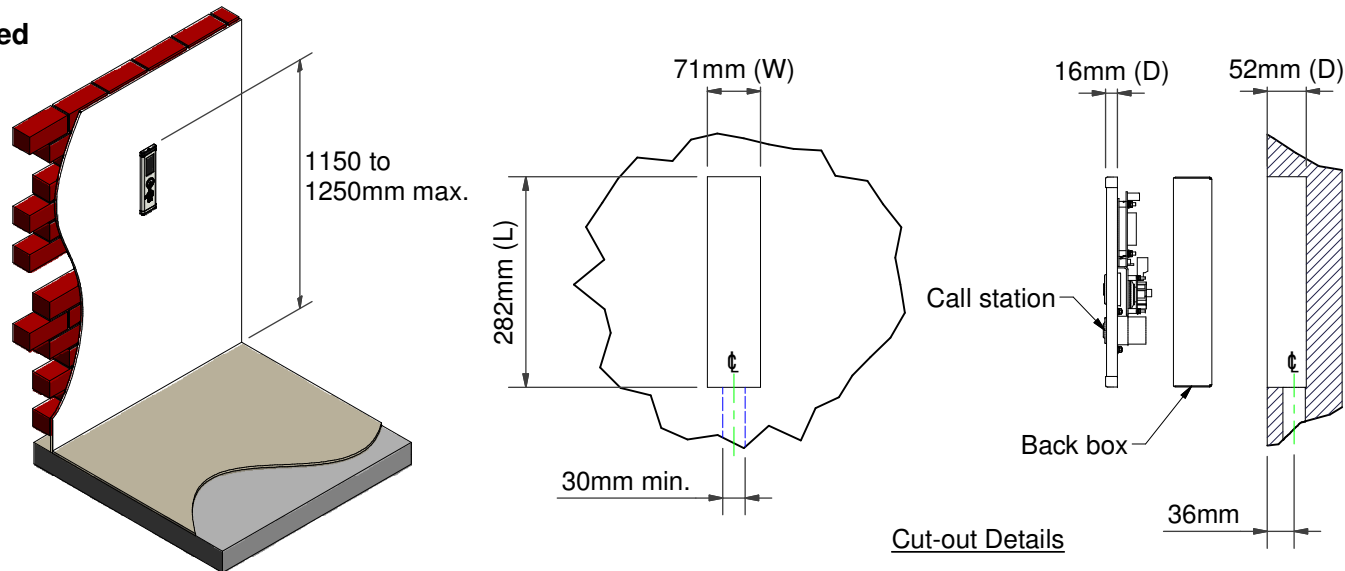
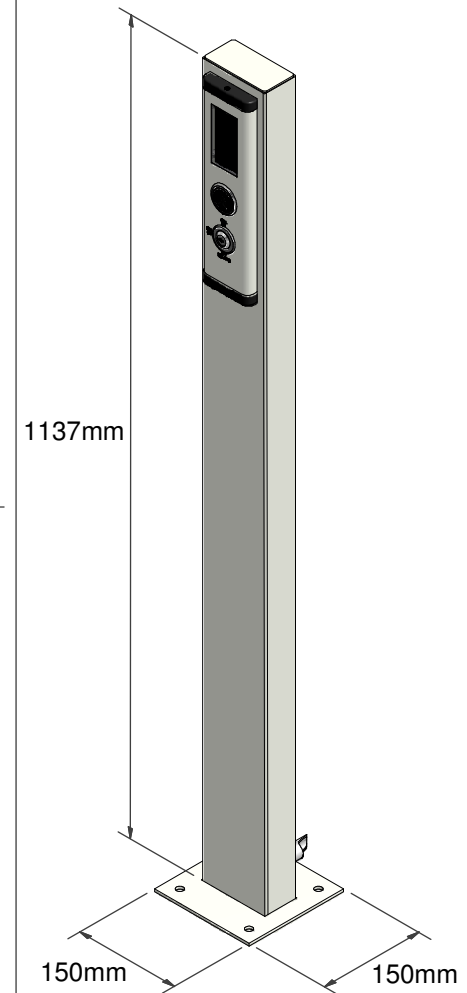


# Remote Landing Call Station

## Flush mounted



## Pedestal mounted



Remote call stations are required if position of buttons in door frame uprights are not suitable for safe operation.

Customer to advise of preferred location of landing call units.

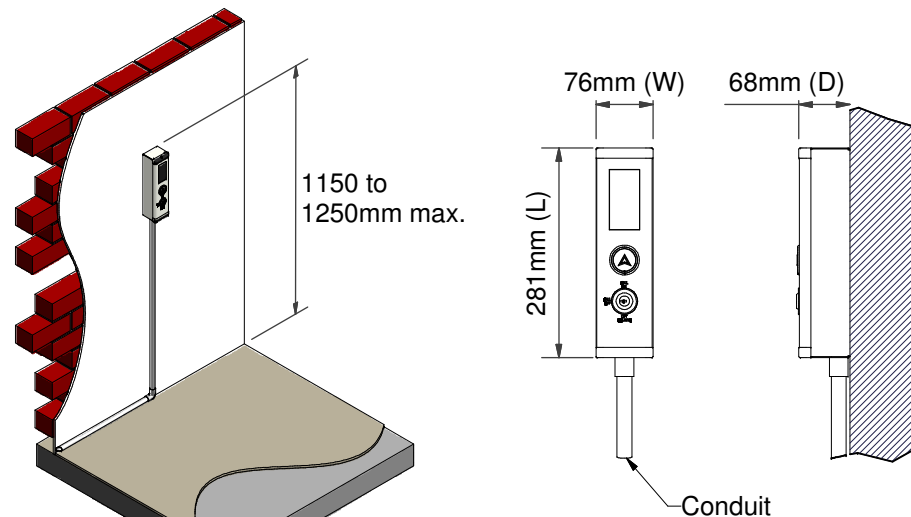
Note that position of landing call units should be chosen such that they are:

- to slam side of door
- at height of between 1150 to 1250mm above FFL
- easily accessible for lone user i.e. that user in a wheelchair can press call then pull door open without it being obstructed by position of wheelchair i.e. call unit is at least 500mm from any return wall (Part M).

If flush mounted, an aperture at each level is required for fitting of landing call station (by customer).

A 30 dia. conduit complete with draw wire is required between lift well & landing call position. Achievement of correct cut-out size is critical in order that when fitted, bezel plate will cover exposed edges. Please contact us to arrange for a back box to be sent prior to lift installation to allow for fitting & finishing (by customer).

## Surface mounted



### Waiver

The data sheet is for guidance only & must not be used for proper working drawings. Please contact us for particular details before proceeding. Owing to our policy of continual improvement, we reserve the right to alter specifications & dimensions without prior notice.